

HYPHERPRO

STEERING DAMPER MOUNTING KIT

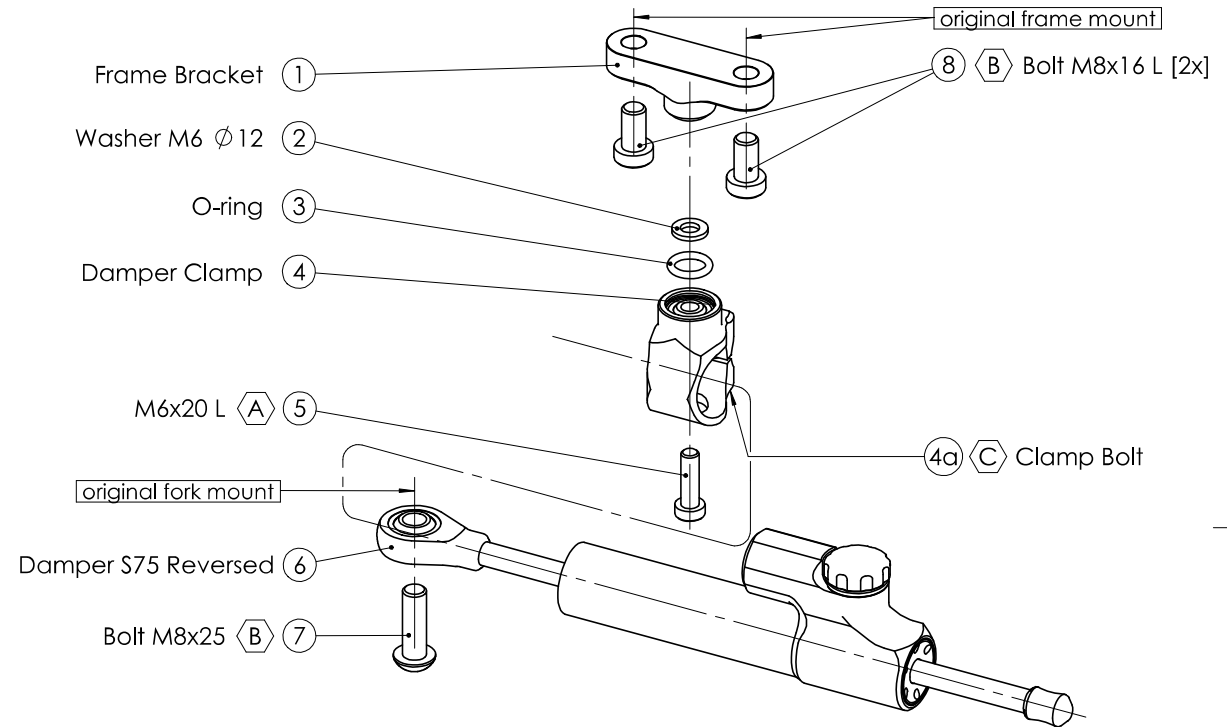
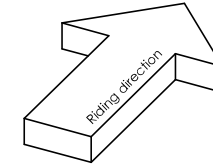
KTM 1090 Adventure R '17->
1190 Adventure (R) '13-'15
1290 Super Adv (S/R) '15-'20 & 2021->

MK-KT11-B002 PART LIST

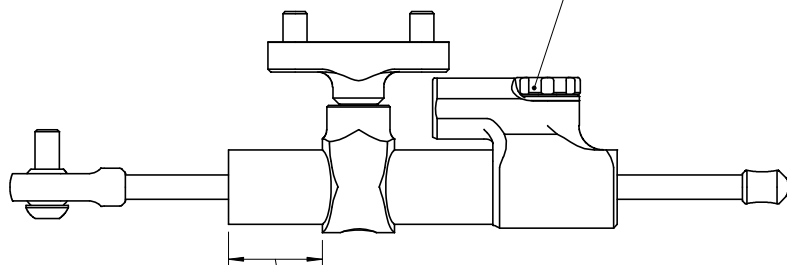
SD stroke 75 REVERSED	1	-	-
Damper Clamp [MP-DB0003]	1	-	-
O-Ring	1	-	-
Frame Bracket [MP-FRMK30-A]	1	-	-
M6x20 Low head	1	-	-
M8x16 Low head	2	-	-
M8x25 Button head	1	-	-
Washer M6 ϕ 12	1	-	-

ALL IDEAS, DESIGNS ARRANGEMENTS AND PLANS INDICATED OR REPRESENTED BY THIS DRAWING ARE OWNED BY HYPERPRO AND WERE CREATED, EVOLVED AND DEVELOPED FOR USE ON AND IN CONNECTION WITH THE SPECIFIC PROJECT. NONE SUCH IDEAS, DESIGNS, ARRANGEMENTS OR PLANS SHALL BE USED BY OR DISCLOSED TO ANY PERSON, FIRM OR CORPORATION FOR ANY PURPOSE WHATSOEVER WITHOUT THE WRITTEN PERMISSION OF HYPERPRO.

REPLACES THE ORIGINAL STEERING DAMPER

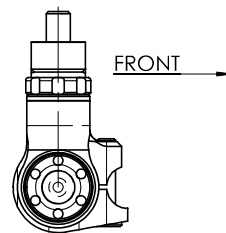


Damping adjustment knob:
 - turn CW to increase damping
 - turn CCW to decrease damping

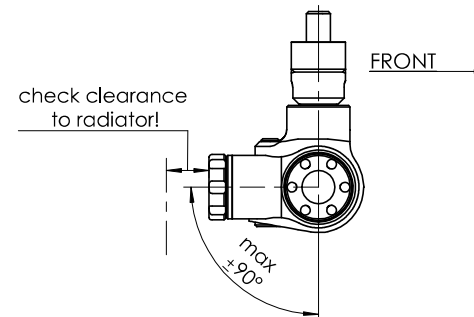


Distance X = 31mm

1290 Super Adv (S/R) 2021->



KTM 1090 Adventure R '17->
1190 Adventure (R) '13-'15
1290 Super Adv (S/R) '15-'20



* TORQUES

A: 5-9Nm / 44-80Lbs.In / 4.0-6.4Lbs.Ft
 B: 14-17Nm / 124-150Lbs.In / 10.3-12.5Lbs.Ft
 C: 6Nm / 53Lbs.In / 4.4Lbs.Ft

D: 8Nm / 70Lbs.In / 5.9Lbs.Ft
 E: 55Nm / 486Lbs.In / 40Lbs.Ft
 F: Factory torque (see owners manual)

HYPERPRO

STEERING DAMPER MOUNTING KIT

**KTM 1090 Adventure R '17->
1190 Adventure (R) '13-'15
1290 Super Adv (S/R) '15-'20 & 2021->**

MK-KT11-B002 INSTALLATION INSTRUCTIONS

In general:

HYPERPRO can not be held responsible in any way for any form of physical, material, financial or other damage arising from use, assembly or overhaul of HYPERPRO products. HYPERPRO reserves the right to make changes without prior notice.

This product is ONLY TO BE INSTALLED BY A PROFESSIONAL MECHANIC.

This product is only to be used for the motorcycle brand, model and year stated specifically on top of the pages of this manual.

DO NOT attempt to install this product on motorcycles from any different brand, model and/or year than stated on the pages of this manual.

DO NOT use this kit for cars, boats, jet skis, snowmobiles, ATV's, aircraft, hovercrafts or any other vehicle and/or purpose.

HYPERPRO steering dampers are FOR RACE USE ONLY, NOT FOR HIGHWAY USE!

Before installation:

- Please read the entire manual carefully before starting the installation!
- Check if you have all the tools required. Good tools are a must.
- Protect your bike at the most important places in and around the work area (e.g. tank, fairing, frame, etc.), with a blanket, towel or similar.

During installation:

- Check all operations and parts carefully before, during and after performing each step.
- Clean all surfaces that are required for fitting parts together or for applying self adhesives or loctite, thoroughly with contact cleaner or another degreaser, unless otherwise stated.
- Be careful not to damage or scratch any part of your bike.
- ALWAYS work relaxed and concentrated!! It is very easy to damage something or make a mistake.

After installation:

- Check and make sure that there is no contact between any part of the steering damper kit and any part of the motorcycle. The kit should not hit anything. Steering movement should not be limited by the steering damper. If the steering movement is limited, adjust the position of the tube in the clamp until steering movement is normal again. Do not forget to tighten the clamp bolt again!
- ALWAYS check the steering movement and feeling before each ride !
- FIRST RIDES: Start with the damper turned fully open (turn adjuster knob fully counter clockwise). Start adjusting in between rides with steps of MAX. 2 CLICKS (0.25 TURN) EACH TIME, until the damper is working satisfactory for your riding style.
- NEVER USE MAXIMUM SETTING, ALWAYS OPEN AT LEAST 2 CLICKS (0.25 TURN).
- WARNING ! DAMPER HAS AN ACTIVE / SPEEDSENSITIVE DAMPING SYSTEM;
 - Steering with NORMAL MOVEMENT should be FREE !!
 - Steering with FAST MOVEMENT should be CONTROLLED BY DAMPER !!
- HYPERPRO uses a special seal to reduce friction. The seal uses an oil film to work properly. It is normal that some oil can appear on the pistonrod.
- Damper works with oil: DAMPING CAN BE HARDER AT LOWER TEMPERATURES!

Step 1: remove the original steering damper

Remove the 3 mounting bolts and remove the complete steering damper assembly.

Step 2: frame bracket assembly

Assemble the frame bracket using:

- Frame bracket (1)
- Washer M6 \varnothing 12 (2)
- 1x O-Ring (3)
- Damper Clamp (4)
- Bolt M6x20 Low head (5)
- 2x Bolt M8x16 Low head (8)

Mount the washer (2), the O-ring (3) and the damper clamp (4) to the frame bracket (1), using the M6 bolt (5). Tighten the bolt to a torque of approx. 5-9Nm/44-80Lbs.In/4.0-6.4Lbs.Ft.

Install the bracket assembly to the motorcycle using the supplied M8x16 bolts (8) and tighten them to a torque of approx. 14-17Nm/124-150Lbs.In/10.3-12.5Lbs.Ft.

Step 3: installing the steering damper

Install the steering damper using:

- Steering damper, stroke 75, REVERSED (6)
- Bolt M8x25 Button head (7)

Ensure that the clamp bolt (4a) of the damper clamp is pointing to the radiator.

Shove the damper (6), with the ball-joint first, through the clamp (4) until the distance "X" reached. Rotate the damper body to the correct angle and tighten the clamp bolt (4a) with a torque of approx. 6Nm/53Lbs.In/4.4Lbs.Ft.

Mount the ball-joint to the fork using the M8x25 bolt (7) and tighten to a torque of approx. 14-17Nm/124-150Lbs.In/10.3-12.5Lbs.Ft.

Check if the damper is properly aligned. Check if the damper does not touch anything (e.g. radiator, bodywork) when steering from left to right. Check if the bike can make it's full steering angle from left to right.

Loosen the clamp bolt (4a) and reposition the damper body if necessary to improve. (Do not forget to re-tighten the bolt after adjustment).